

# „Sundew“ MCXI600

## *Inverted Biological Microscope*



Excellent optical function with ICO Infinite Optics. Innovative ergonomical design.



With LWD ICO Infinite PLAN objectives, making viewing field flatter and brighter. Easier observation of living cells.



With pre-centrable phase annulus, available to observe low contrast or transparent specimen.

SCIENCE



**micros**

If you love microscopes!

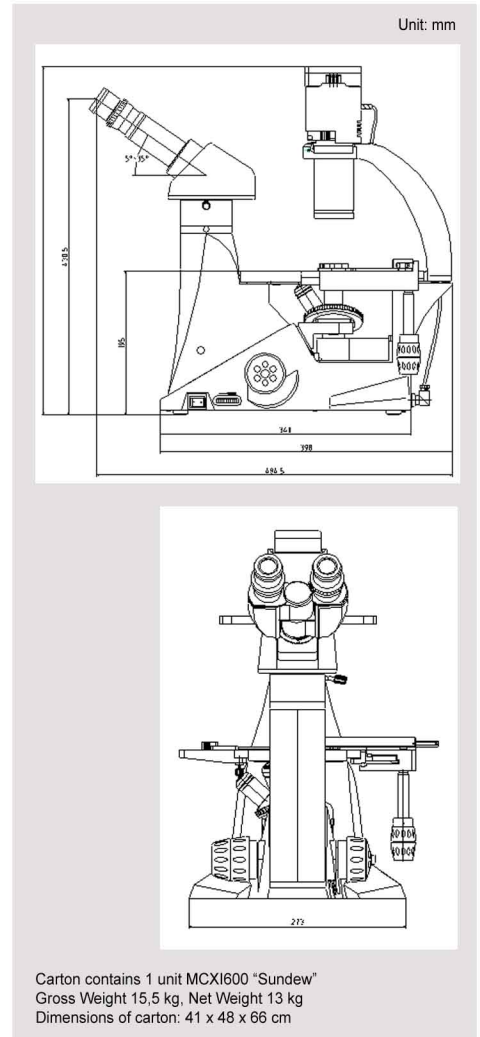
## Specifications

	Versions: BF=Brightfield, BF/PC=Brightfield and Phasecontrast, FL=Fluorescence	BF	BF/PC	FL
Body	Main Body with 6V30W for 220V/50Hz or 110V/60Hz Sturdy 300x295mm base with supportive rubber feet	•	•	•
Nosepiece	Quintuple	•	•	•
Head	Binocular head, 30° inclined, 360° rotatable, inclination variable from 5° to 35°	•		
	Binocular ERGO-head, inclination variable from 5° to 35°		•	•
Stage	Plain Stage 160 x 250mm with glass insert plate Attachable mechanical stage, X-Y coaxial control, Moving range 120 x 78mm, Auxiliary stages 70 x 180mm Terasaki Holder, Petri Dish Holder, ø 35mm, Slide Glass Holder, 54mm	•	•	•
Condenser	ELWD Brightfield condenser, n.A. 0.3, WD72mm with integrated iris diaphragm and filter tray	•	•	•
Eyepieces	EWF 10x/22 High Eyepoint	•	•	•
Objectives	Brightfield	LWD ICO PLAN 4x/0.10, WD 18 mm LWD ICO PLAN 10x/0.25, WD 10mm LWD ICO PLAN 20x/0.40, WD 5.1mm LWD ICO PLAN 40x/0.65, WD 2.6mm	•	•
	Phase Contrast	ICO PLAN Phase 10x/0.25, WD 10mm ICO PLAN Phase 20x/0.40, WD 5.1mm ICO PLAN Phase 40x/0.65, WD 2.7mm		•
	Fluorescence	ICO PLAN FL 10x/0.30, WD 13,5mm ICO PLAN FL 20x/0.45, WD 5,1mm ICO PLAN FL 40x/0.60, WD 2,9mm		
Phase Annulus	10x/20x and 40x Phase Annulus Plate		•	
Centering Telescope	ø 30 mm		•	
Fluorescence Attachment	light-filter system of main body: 2 exciting light waves, B (blue light), G (green light) and O (transmitted light). Equipped with HBO burner 100 W , Power Supply 220V 50Hz or alternative 110-115V 60HZ Options: Ultraviolet / Violet			•
Brightfield-Illumination	6V30W Halogen	•	•	•
Filters	Blue, green and ground glass, ø 45mm	•	•	•
Accessories	Dust cover, immersion oil, 2 pcs. Halogen bulbs 6V30W, fuses, power cord and instruction manual			
Options	Observation Set Discussion bridge with green LED pointer, brightness adjustable, moveable by joystick. Up to 5 people side by side, 1 operator, 4 observers			
	Photo/Video port for ERGO head, 100% or 80/20% light splitting			

Microscope designed and developed by MICROS Austria.

Specifications and equipment are subject to change without any obligation on the part of the manufacturer.

## Dimensional Diagram



## micros Austria Headquarter

Breitenfurter Strasse 38  
A-1120 Vienna / AUSTRIA  
Phone: +43/1/802 72 70  
Fax: +43/1/802 72 71  
office@micros.at  
www.micros.at

## micros Russia, 123610 Moscow

World Trade Center Moscow  
Krasnopresnenskaya nab. 12  
Phone: +7/495/967 07 25  
Fax: +7/495/667 07 26  
info@micros-at.ru  
www.micros-at.ru



**RMS**  
Member of  
Royal Microscopy Society

We are here for you: